



CLASSEQ LTD

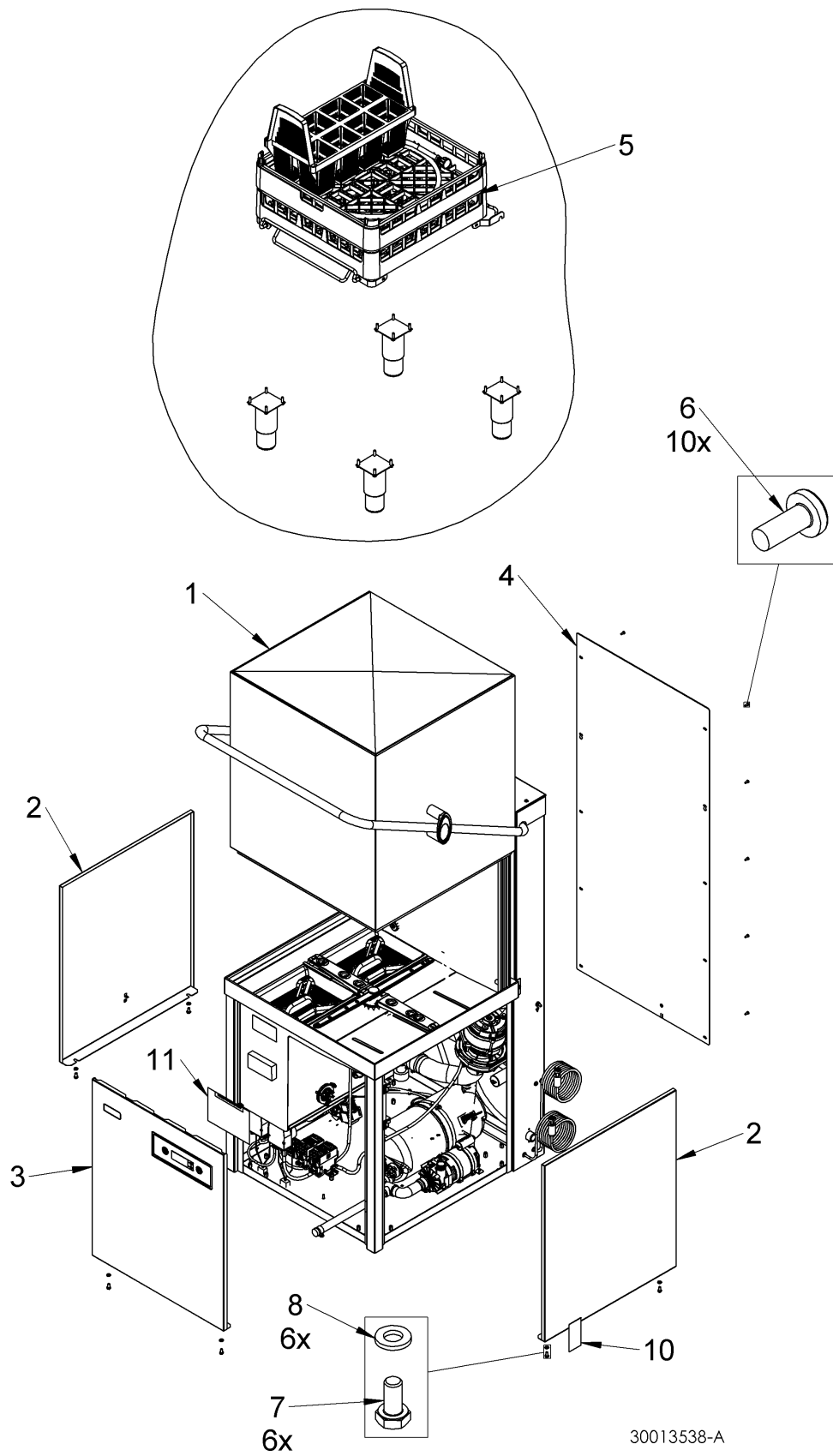
Spares Manual

D9000 60Hz

Table of contents for D9000

Spares Manual.....	1
1. Machine assembly	4
2. Front panel assembly	6
3. Front panel.....	8
4. Control unit assembly	10
5. Frame assembly.....	12
6. Hood assembly	14
7. Hood spring assembly.....	16
8. Base assembly	18
9. Fill system	20
10. 6kW Boiler assembly.....	22
11. Air gap assembly	24
12. Rinse pump assembly	26
13. Wash and Rinse system	28
14. Wash pump assembly	30
15. Wash Boss assembly	32
16. Kit rotary arms washing	34
17. Top manifold assembly	36
18. Top manifold	38
19. Center boss assembly	40
20. Drain system	42
21. Sump Drain set.....	44
22. Kit drain bottle	46
23. Detergent pump assembly.....	48
24. Rinse aid pump assembly.....	50
25. Electrical component assembly	52
26. Accessories.....	54
27. 500mm Dishwasher accessories	55
28. Mains cable	55

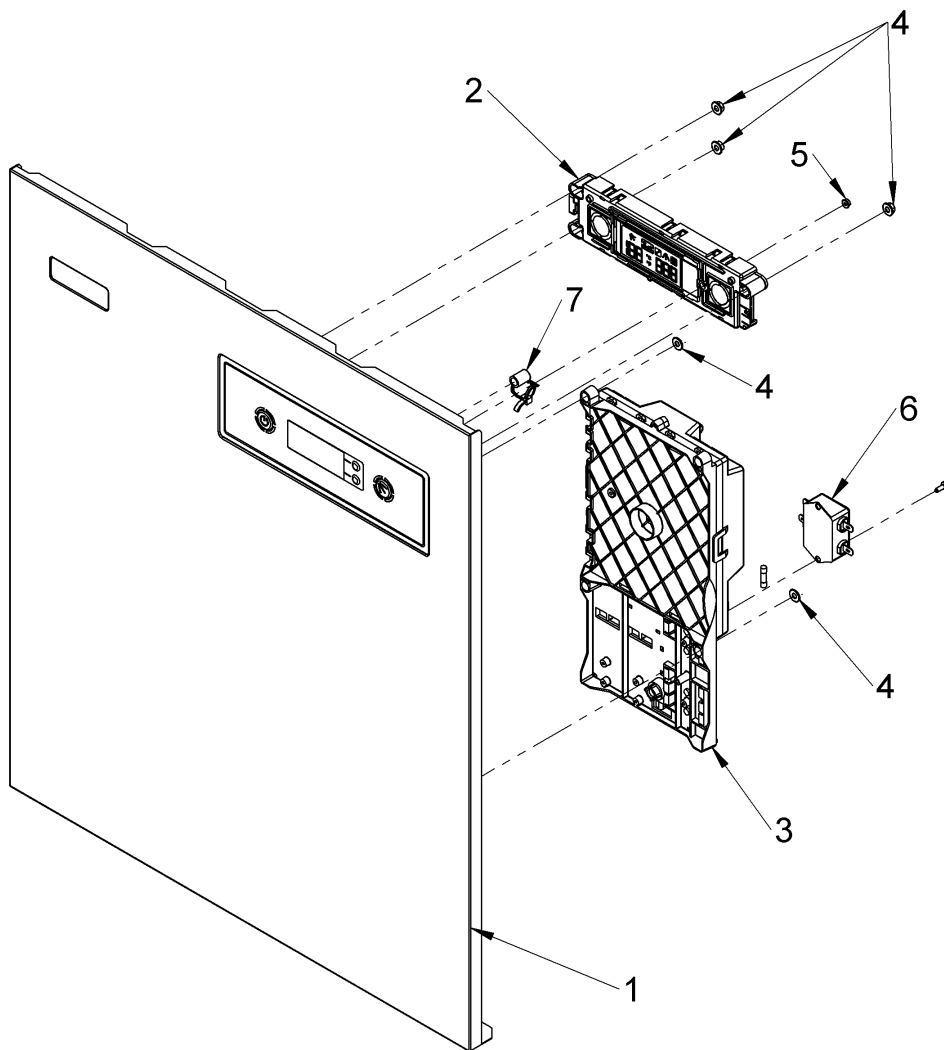
1. Machine assembly



1. Machine Assembly – BOM

Item	Description	Part number	QTY.	Note
1	Frame Assembly (P500-A)		1	
2	Side Panel with Earth Tab	30013559	2	
3	PT Front panel assembly	30013515	1	
4	Rear Panel with Earth Sticker	30013560	1	
5	PT - Accessories		1	
6	M4 x 10mm Posi pan head screw	30006293	10	
7	M6 x 12 hex head screw (ISO 4017)	30008585	6	
8	M6 Flat Washer	30006287	6	
9	PT - Mains Cables		1	Not shown
10	Rating plate		2	
11	Document enclose envelope		1	

2. Front panel assembly

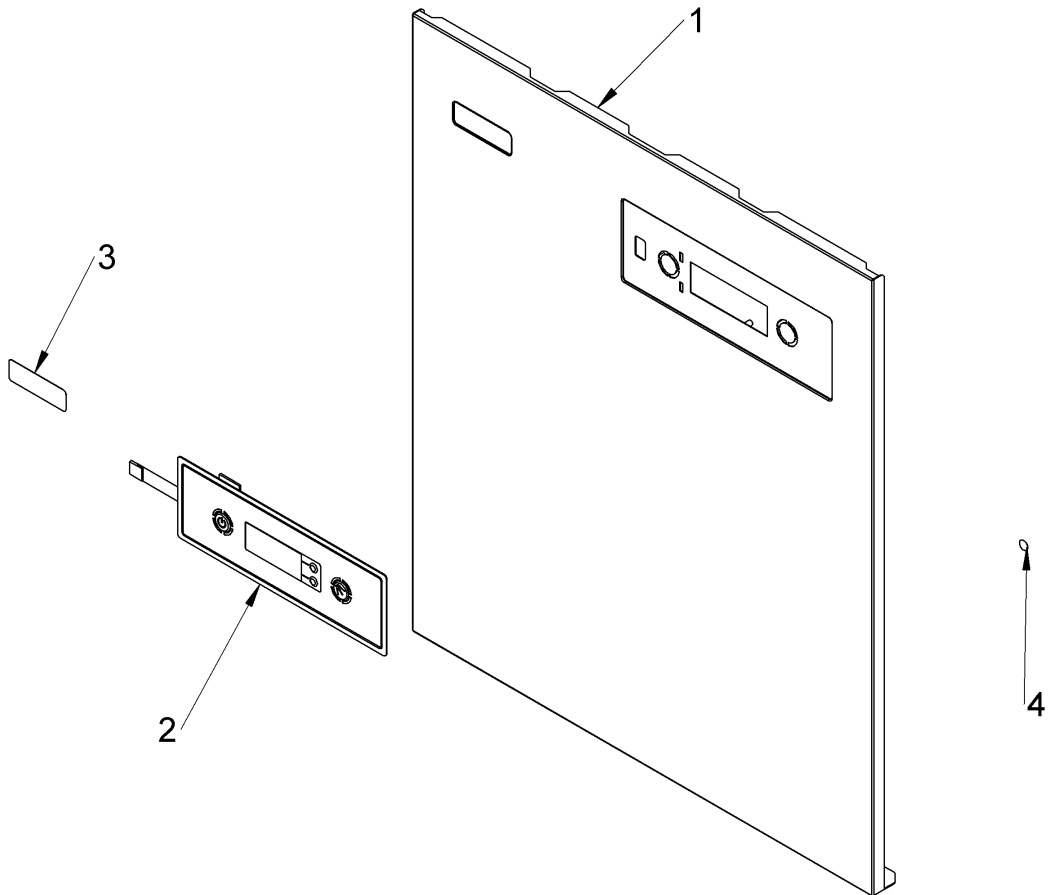


30013515-A

2. Front panel assembly – BOM

Item	Description	Part number	QTY.	Note
1	Front Panel	30013513	1	
2	Premium UI assembly	30011403	1	
3	Control unit assembly - PT		1	
4	M5 Flange nut (DIN 6923)	30001186	5	
5	M3 Flange nut (DIN 6923)	30001171	1	
6	UC Mains filter	30012203	1	
7	Cable tie	30001818	1	

3. Front panel

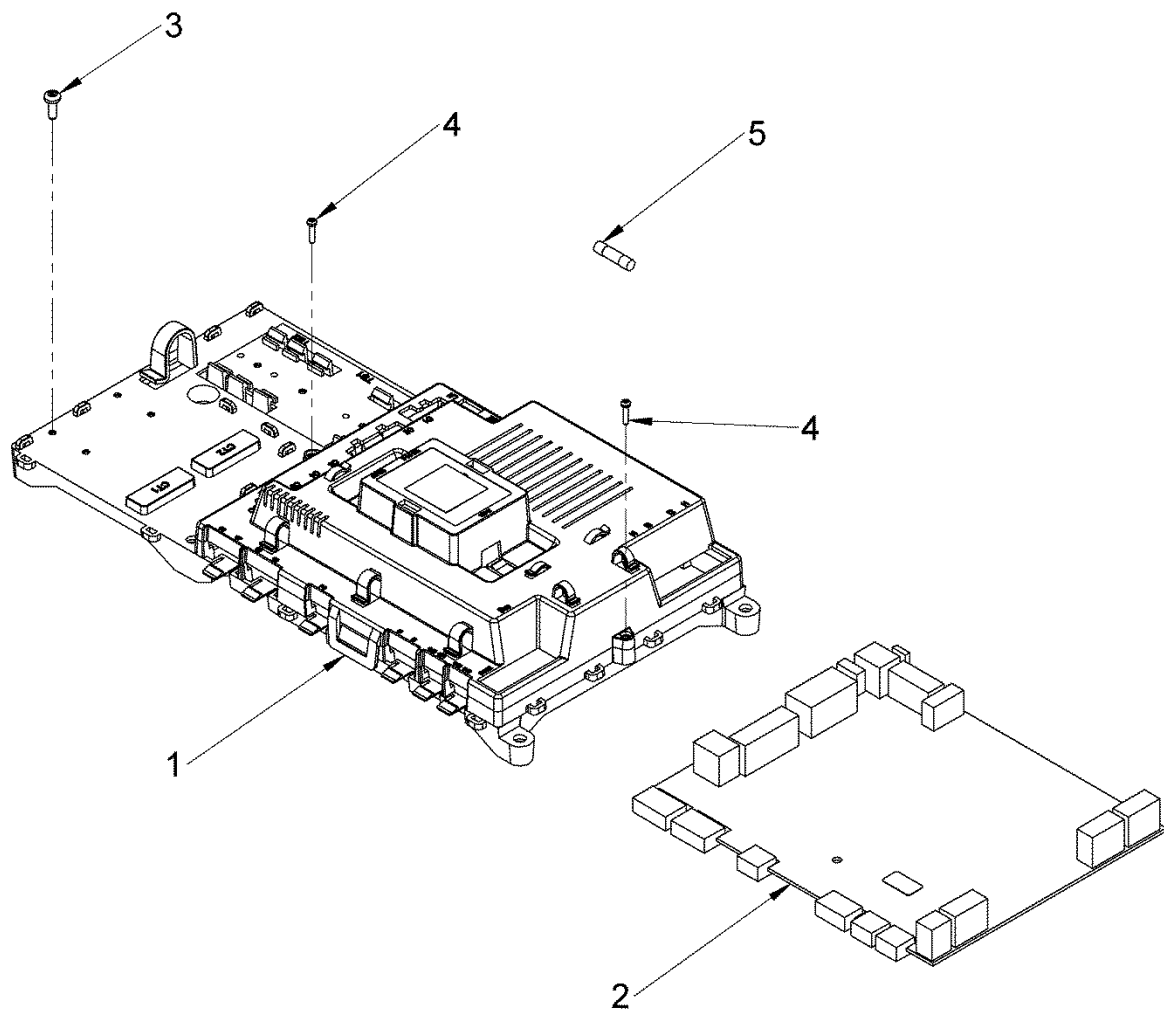


30013513-A

3. Front panel – BOM

Item	Description	Part number	QTY.	Note
1	Front Panel with Earth Tab		1	
2	Keypad Kit	30013512	1	
3	CLASSEQ badge		1	Not available as a spare
4	Earth Sticker - Removable Parts	30013715	1	

4. Control unit assembly

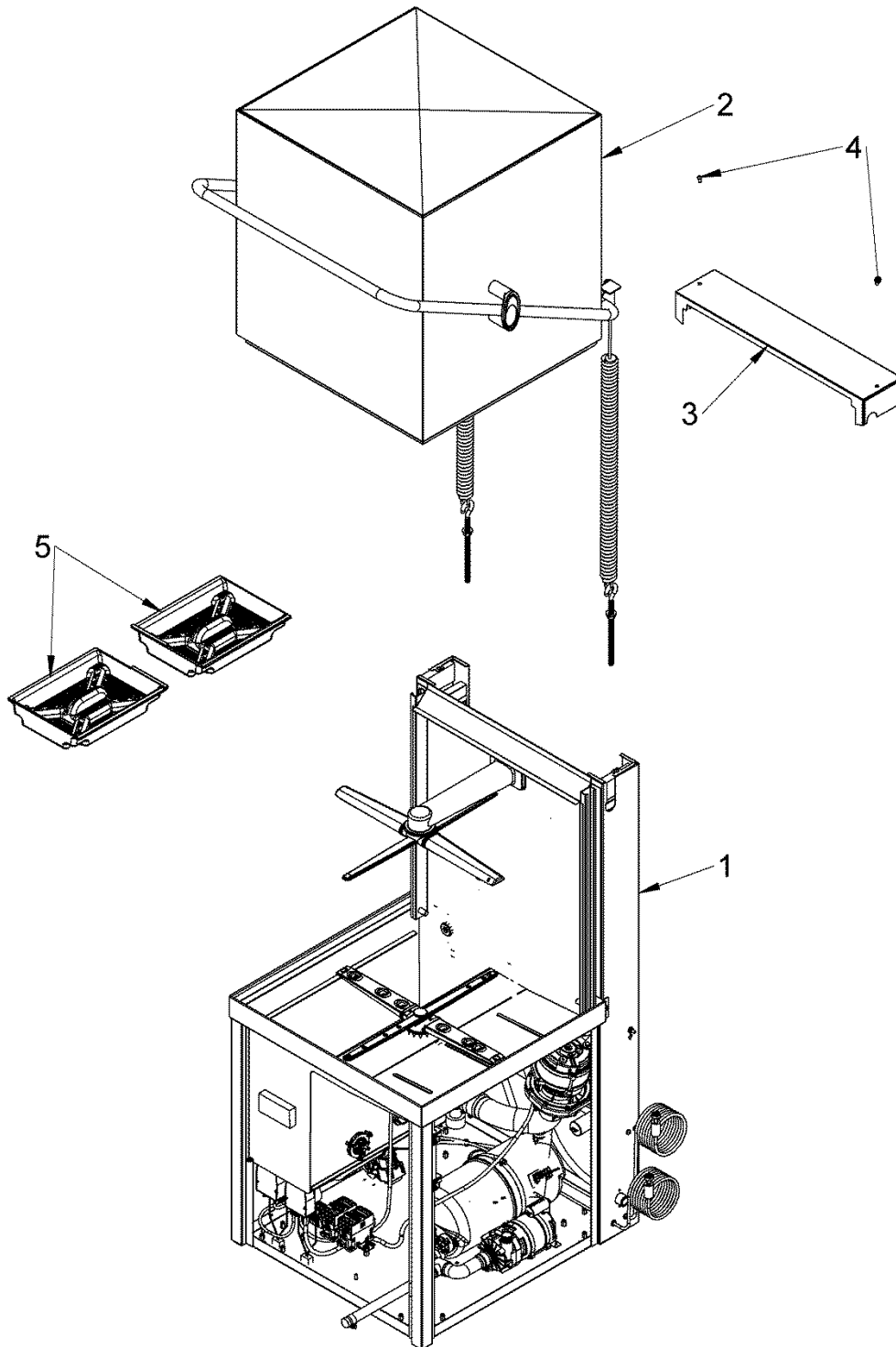


30013516-A

4. Control unit assembly - BOM

Item	Description	Part number	QTY.	Note
1	Control board enclosure assembly	30012023	1	
2	ZSE mini full assembly - LA	30013805	1	
3	3.5x10mm posi pan head PT screw	30011825	1	
4	2.5x10mm PT screw	30011824	2	
5	4 Amp Fine Fuse ZSE	3111123	1	

5. Frame assembly

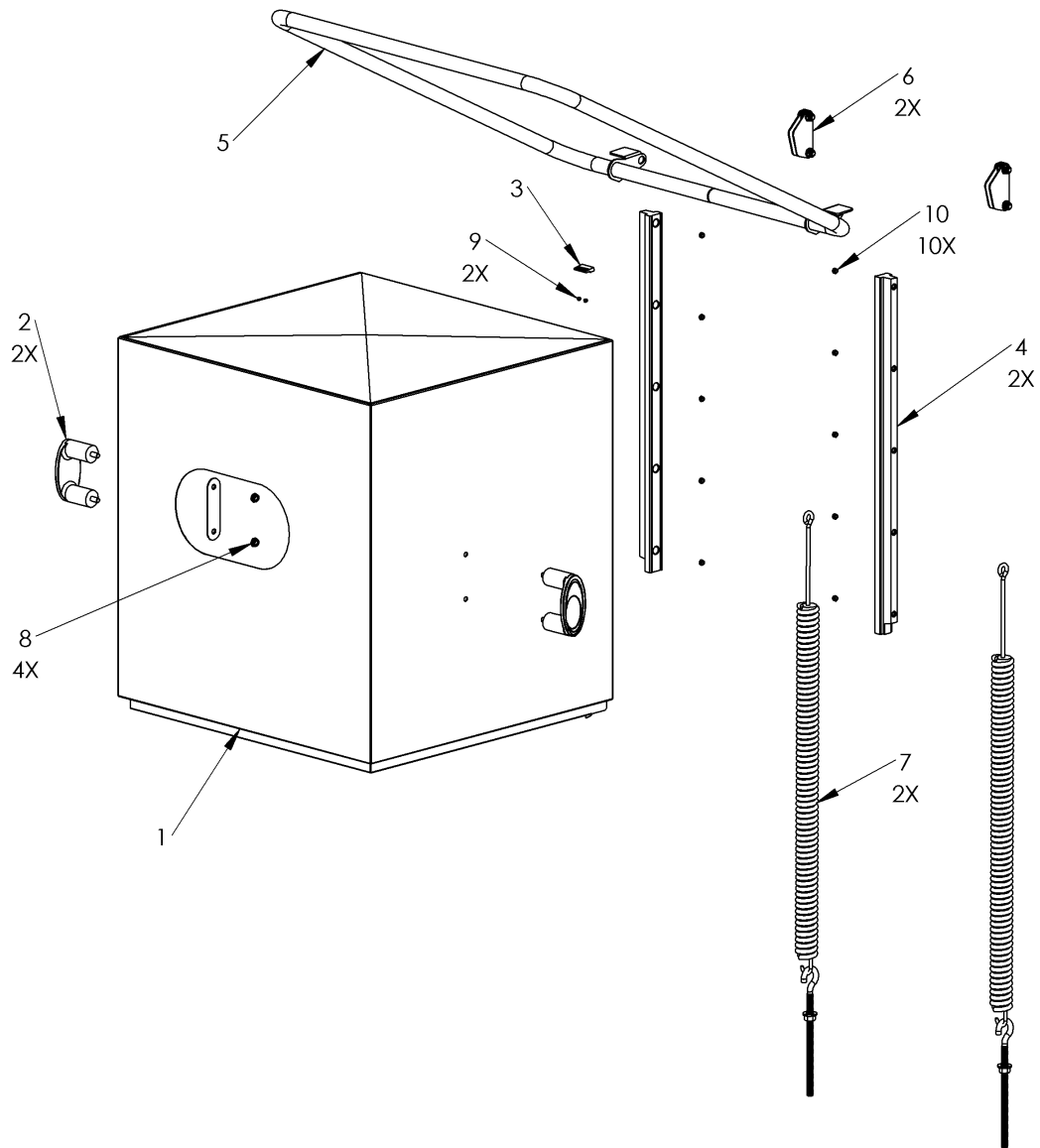


30013536-A

5. Frame assembly – BOM

Item	Description	Part number	QTY.	Note
1	PT - Base Assembly (P500-A)		1	
2	Hood Assembly		1	
3	Top Rear	30001233	1	
4	M6 x 12 Hex socket button head screw	30001063	2	
5	Wash filter - PT	30000995	2	

6. Hood assembly

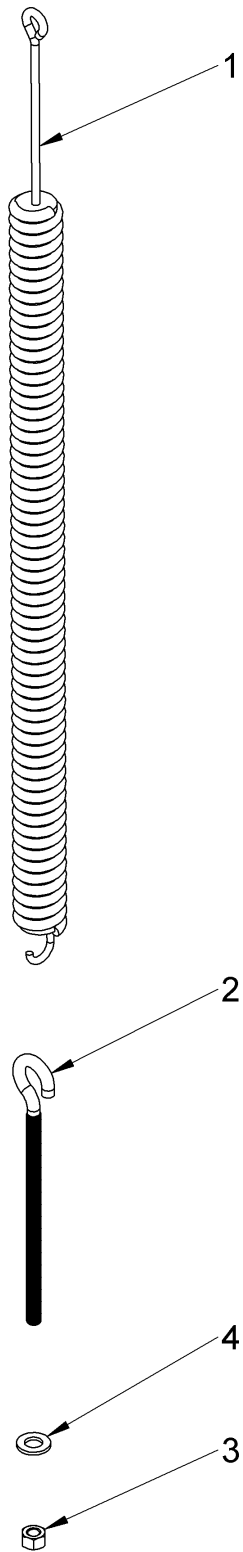


30013527-A

6. Hood assembly – BOM

Item	Description	Part number	QTY.	Note
1	Hood		1	
2	Handle guide	30001205	2	
3	Door magnet	30000981	1	
4	Hood Runner	30001204	2	
5	Hood Level assembly	30001201	1	
6	Arm Spring Bracket	30001173	2	
7	Hood Spring Mechanism	30013507	2	
8	M8 Nylock nut (ISO 10511)	30006270	4	
9	M3 Thin Nylock nut (ISO 10511)	30001051	2	
10	M5 Thin Nylock nut (ISO 10511)	30006274	10	

7. Hood spring assembly

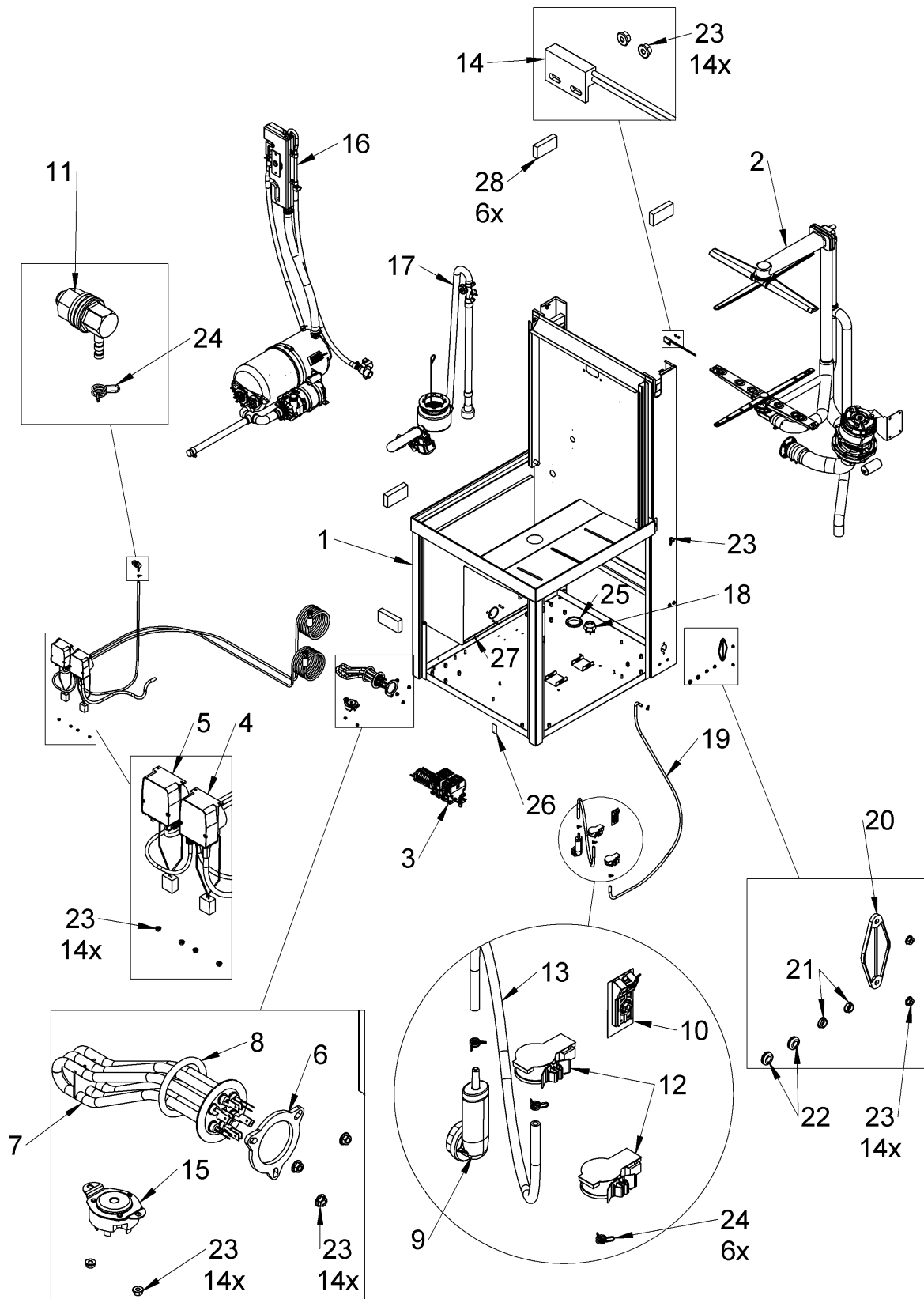


30013507-A

7. Hood spring assembly – BOM

Item	Description	Part number	QTY.	Note
1	Hood Spring		1	
2	Spring Hook Bolt	30013509	1	
3	M10 Hex nut (DIN 934)	2101306	1	
4	M12 Flat washer	30006309	1	

8. Base assembly

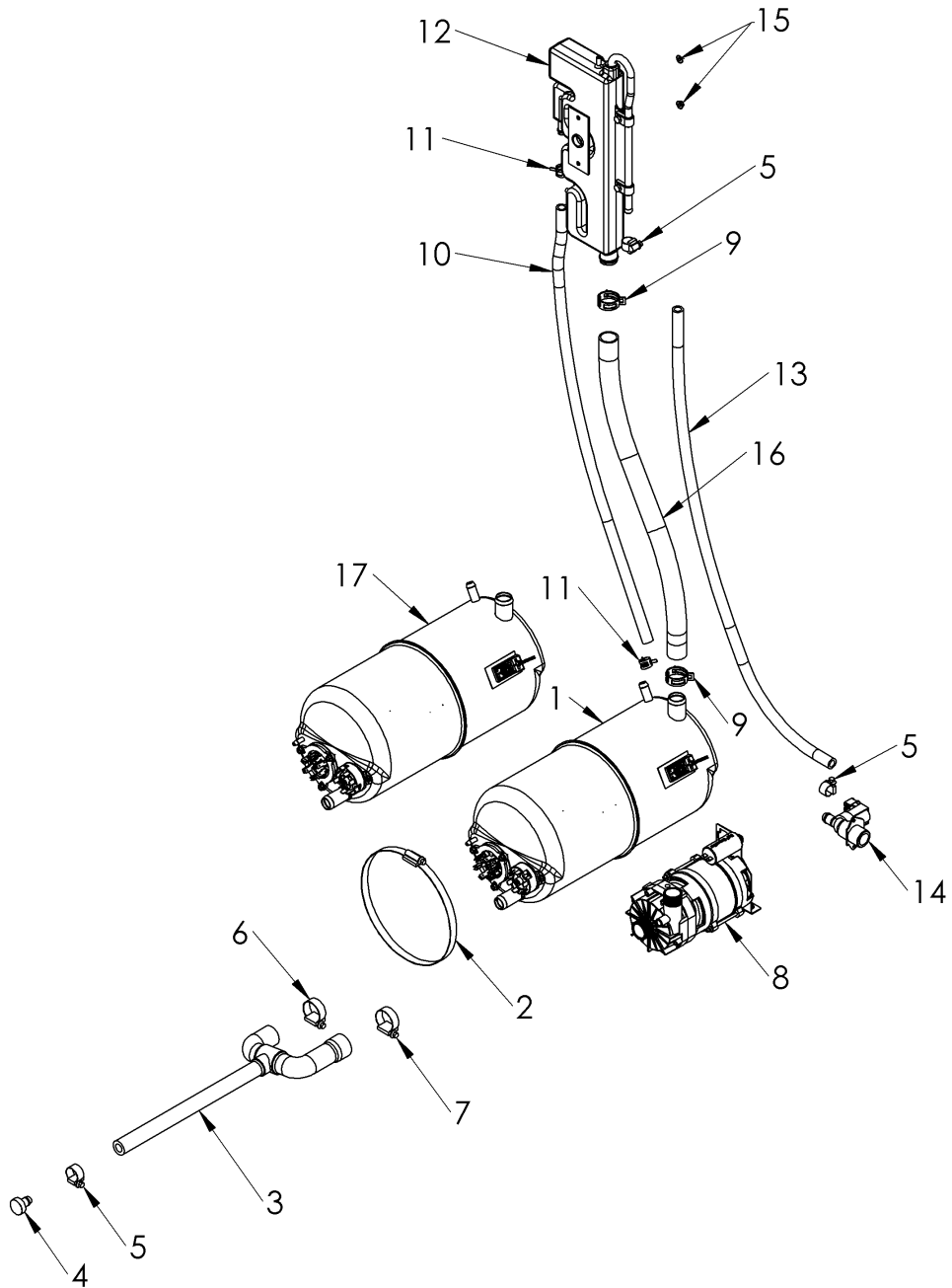


30013537-A

8. Base assembly – BOM

Item	Description	Part number	QTY.	Note
1	PT Assembly steelwork cabinet		1	
2	PT Wash and Rinse System		1	
3	Electrical Parts - Standard		1	
4	Rinse aid pump assembly	30011806	1	
5	Detergent Pump Assembly	30011805	1	
6	Element bracket clamping ring	0117003	1	
7	4.05kW Element - no phile	30008399	1	
8	O-Ring - Ø46 x Ø6	30000947	1	
9	Kit air pressure chamber	60003525	1	
10	Kit thermo sensor	30002179	1	
11	Detergent inlet fitting	30011822	1	
12	Pressure sensor	3126044	2	
13	Wash APS tube - 350mm	30011884	1	
14	Crimped proximity switch assembly	30000980	1	
15	Manual reset thermal triple switch - 3 pole - 85C (NC)	30000969	1	
16	PT - Fill System (Air Break)		1	
17	PT- Std Drain system		1	
18	Cable Gland	3110153	1	
19	Silicon tube cut to 1760mm	30006284	1	
20	Airbreak hole blanking cover	30001049	1	
21	Cap Chemical Tube Hole	30002143	2	
22	Chemical tube grommet	30002141	2	
23	M3 Flange nut (DIN 6923)	30001171	14	
24	Spring Clip - Ø7.8mm to Ø8.3mm	30001083	6	
25	50mm Diameter grommet	30001834	1	
26	Ex Chemical Pumps Label		1	
27	350mm Foam seal	30011634	1	
28	Foam Pad Rectangular	30013499	6	

9. Fill system

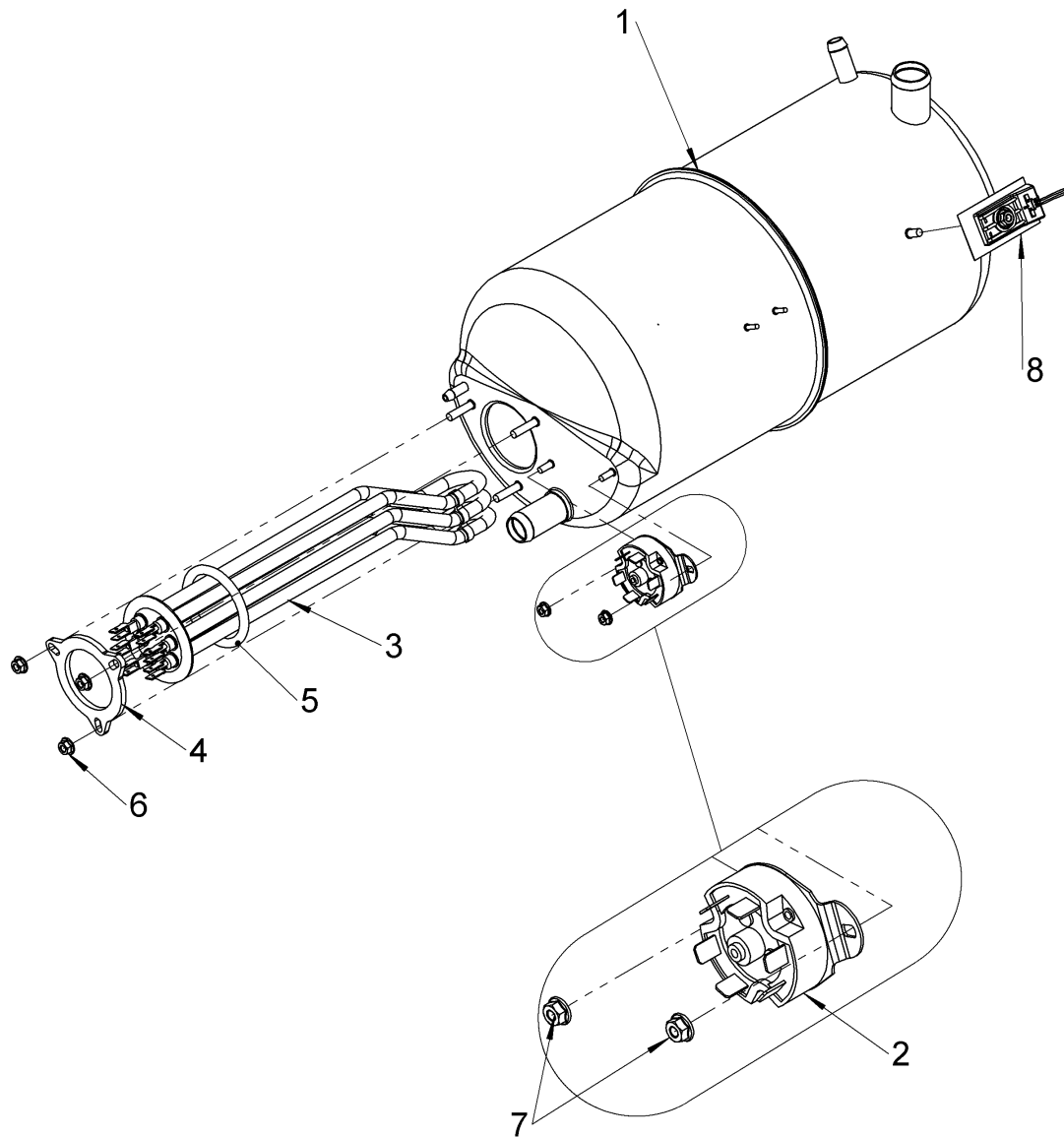


30013535-A

9. Fill system – BOM

Item	Description	Part number	QTY.	Note
1	Rinse boiler assembly - 7.5L - 6kW	30011798	1	
2	Jubilee clip - 160mm - 180mm	30001113	1	
3	Rinse pump inlet hose - 500mm	30011741	1	
4	Tube plug	70007962	1	
5	Jubilee Clip - 12mm to 22mm	30001088	3	
6	Jubilee Clip - 20mm to 32mm	30001112	1	
7	Sp. Jubilee Clip - 25mm to 40mm	30013293	1	
8	Rinse pump assembly - 500mm	30011811	1	
9	Spring band - Ø30mm	30002578	2	
10	Air Break to Rinse Boiler - P3	30006256	1	
11	Spring band - Ø16mm	30008920	2	
12	Air gap assembly	30011815	1	
13	Solenoid to air gap hose - Pass through	30008504	1	
14	Solenoid valve - 11L/min	30011638	1	
15	M5 Flange nut (DIN 6923)	30001186	2	
16	Air Break to Boiler Hose	30006662	1	
17	Rinse Boiler Assembly - 7.5L - 8.64kW	30013711	1	

10. 6kW Boiler assembly

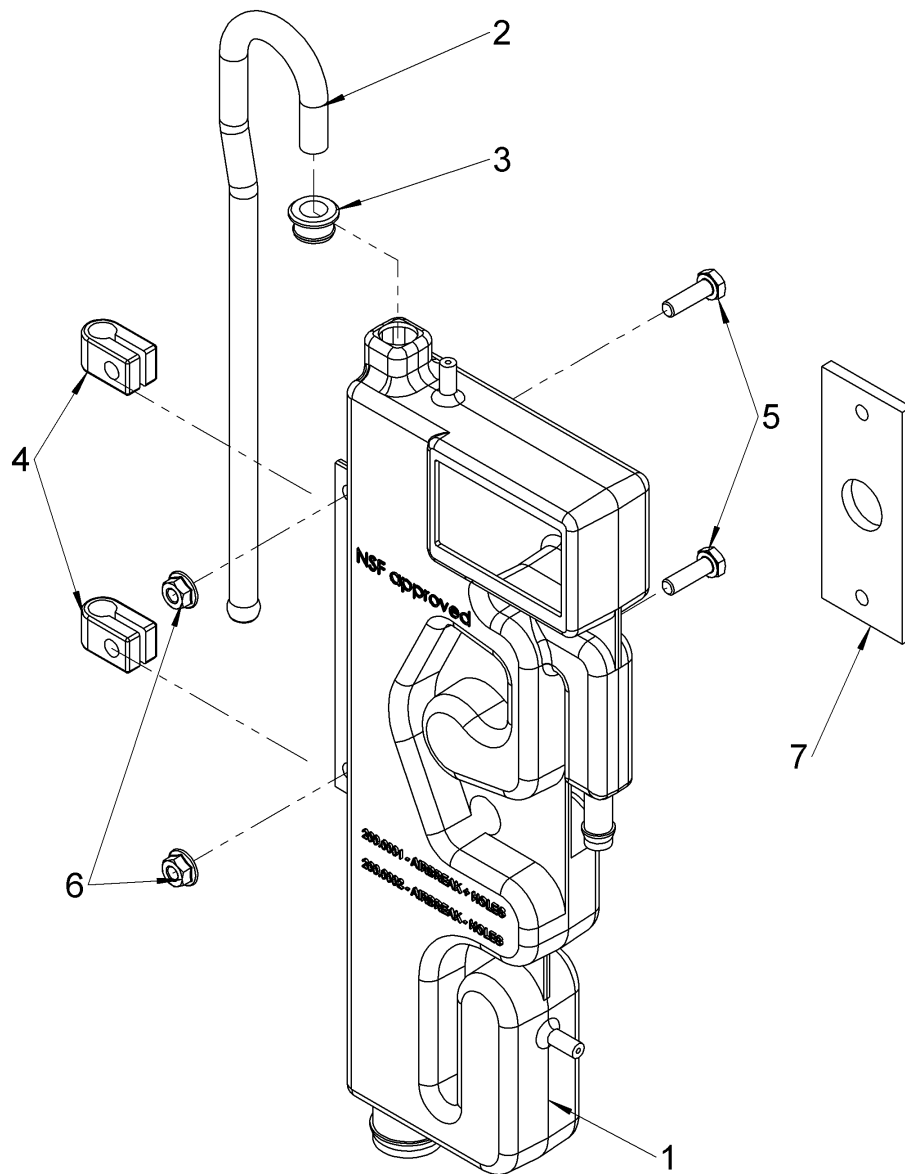


30011798-A

10. 6kW Boiler assembly – BOM

Item	Description	Part number	QTY.	Note
1	Rinse boiler - 7.5L	30011839	1	
2	Manual reset thermal trip switch - 3 pole - 95°C	30006090	1	
3	6kW element - no phile	30011827	1	
4	#N/A	0117003	1	#N/A
5	O-Ring - Ø46 x Ø6	30000947	1	
6	M5 Flange nut (DIN 6923)	30001186	3	
7	M4 Flange nut (DIN 6923)	30006237	2	
8	Kit thermo sensor	30002179	1	

11. Air gap assembly

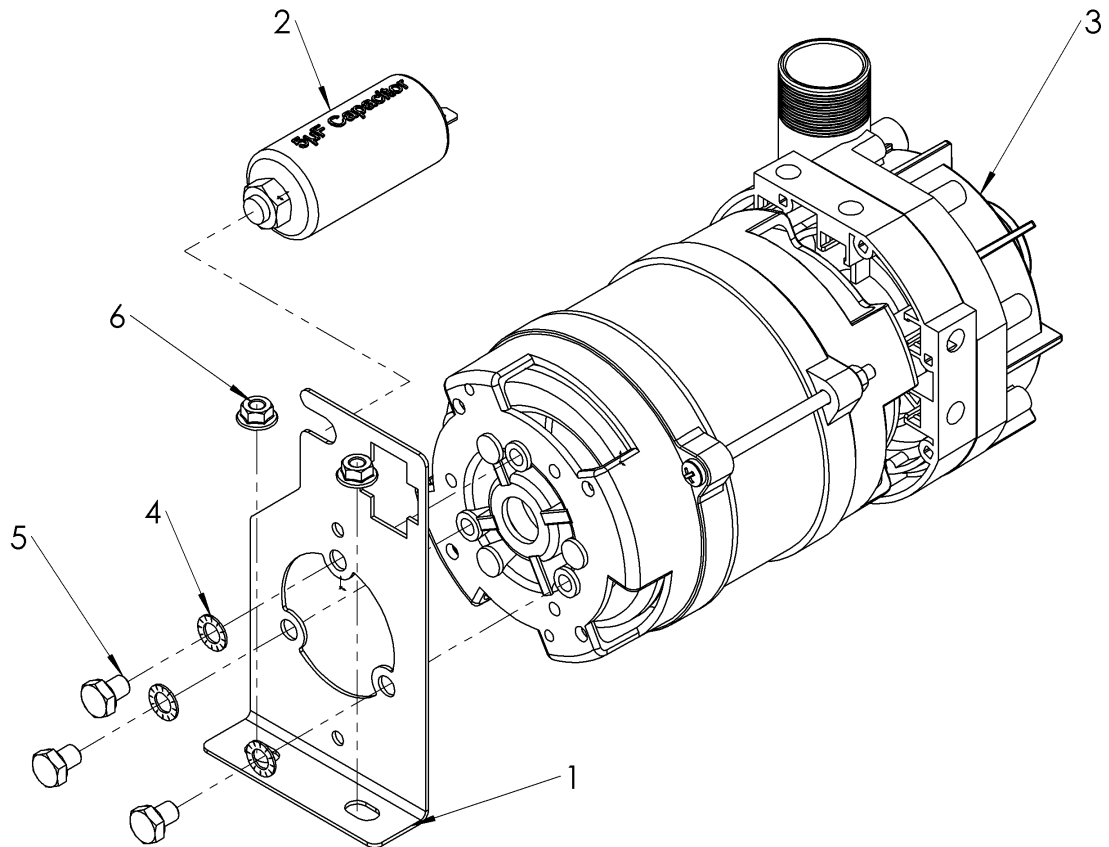


30011815-A

11. Air gap assembly – BOM

Item	Description	Part number	QTY.	Note
1	Air break tank	30001078	1	
2	Air break feeder tube	30001079	1	
3	Air break plug	30012160	1	
4	Cable cleat - No 4	30001844	2	
5	M6 x 20 hex head screw (ISO 4017)	30001080	2	
6	M6 Flange nut (DIN 6923)	30001848	2	
7	Air break seal	30012588	1	

12. Rinse pump assembly

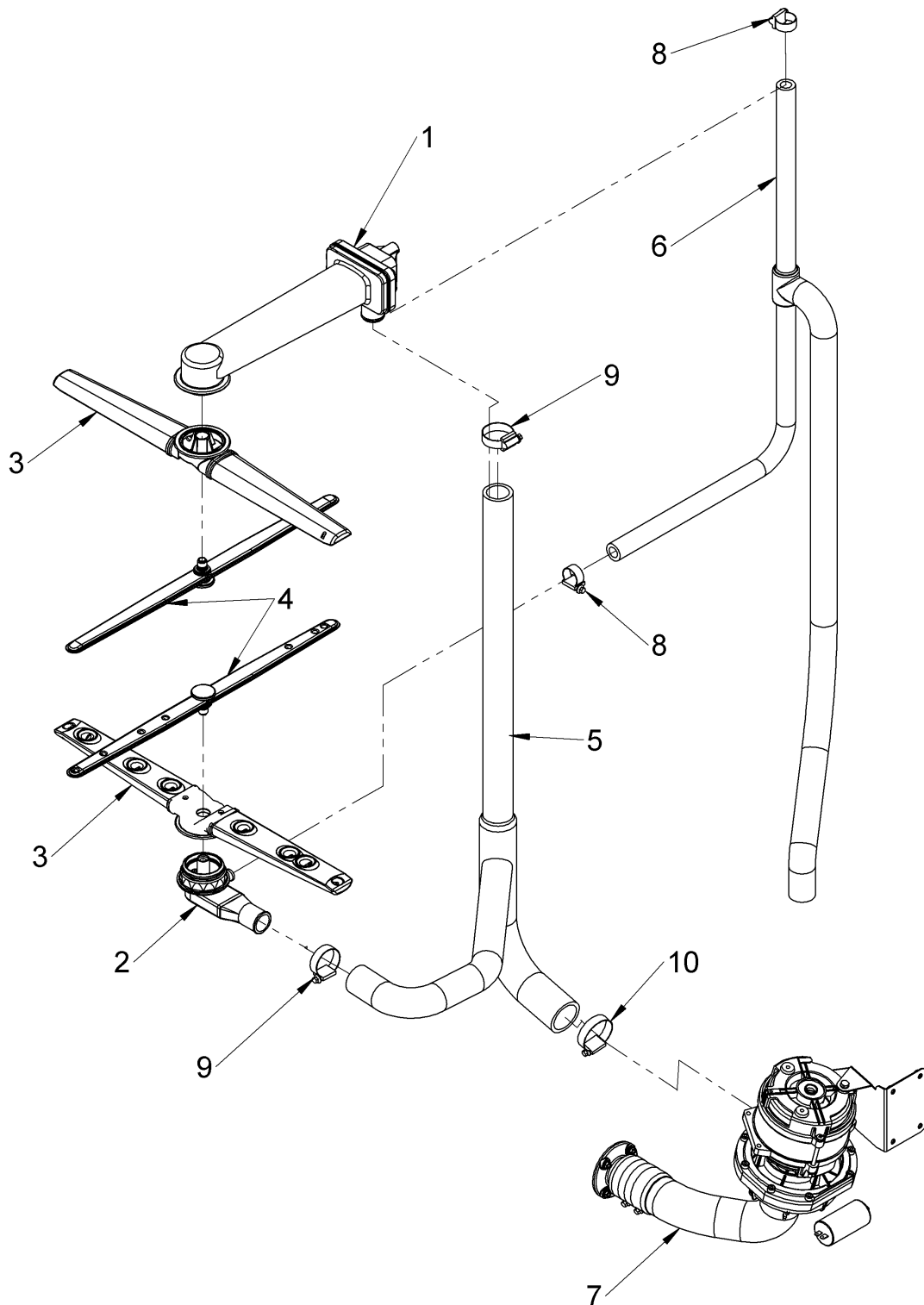


30014218-A

12. Rinse pump assembly – BOM

Item	Description	Part number	QTY.	Note
1	Rinse pump bracket	30011678	1	
2	5 μ F Capacitor	30011583	1	Includes washer & nut
3	Rinse pump 0.14kW 60hz	30011878	1	
4	M6 Serrated washer	30007939	3	
5	M6 x 8 hex head screw (ISO 4017)	30011209	3	
6	M5 Flange nut (DIN 6923)	30001186	2	

13. Wash and Rinse system

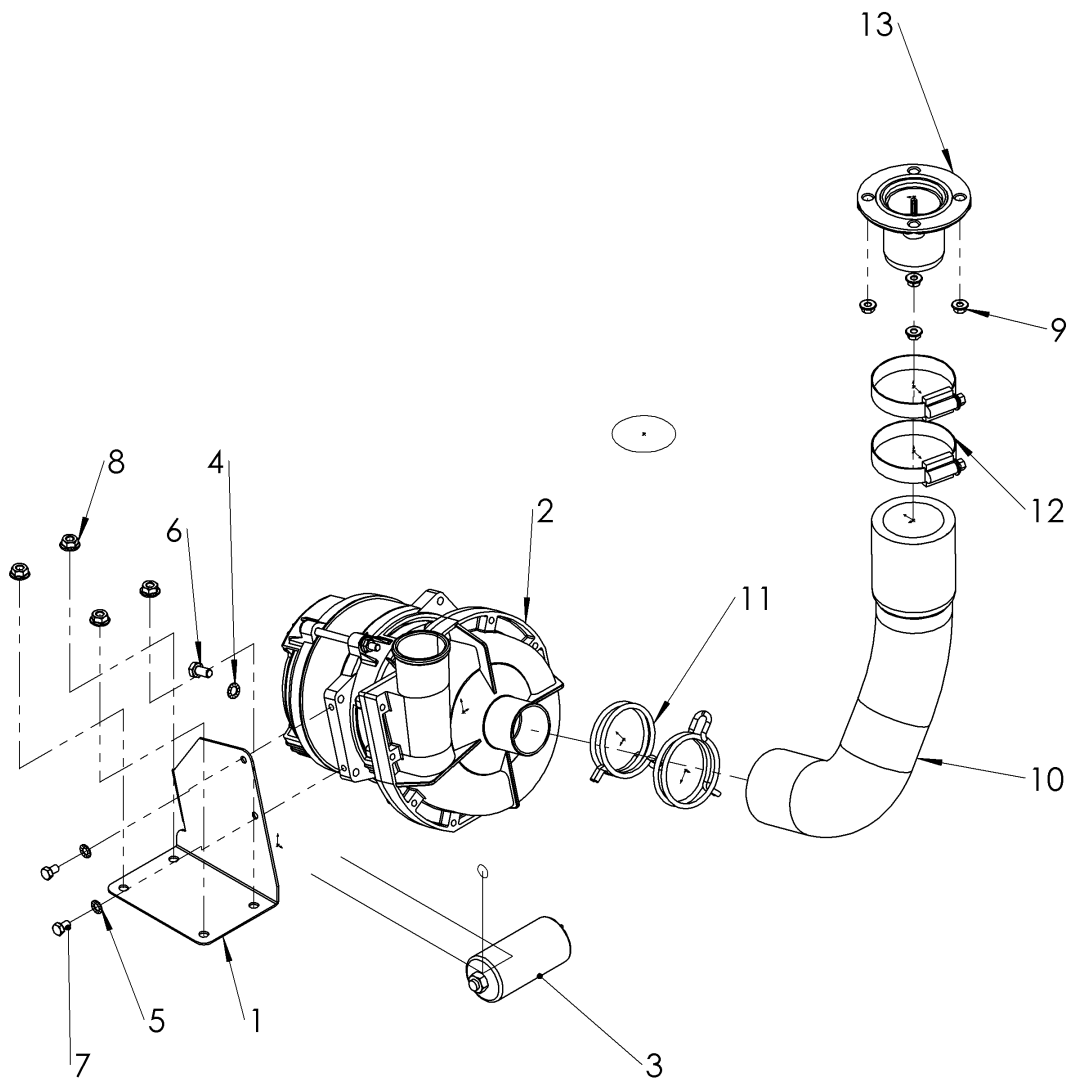


30013510-A

13. Wash and Rinse system – BOM

Item	Description	Part number	QTY.	Note
1	Hood top manifold assembly	30013520	1	
2	Centre boss assembly	30003284	1	
3	Kit rotary arms washing	60003520	2	
4	Revolving rinse arm assembly - 500mm	60004062	2	
5	Wash pump outlet hose	30001219	1	
6	Rinse system hose DS	30001220	1	
7	PT wash pump assembly		1	
8	Jubilee Clip - 16mm to 27mm	30001799	2	
9	Jubilee Clip -25mm to 40mm	30001089	2	
10	Jubilee clip - 32mm to 50mm	30001114	1	

14. Wash pump assembly

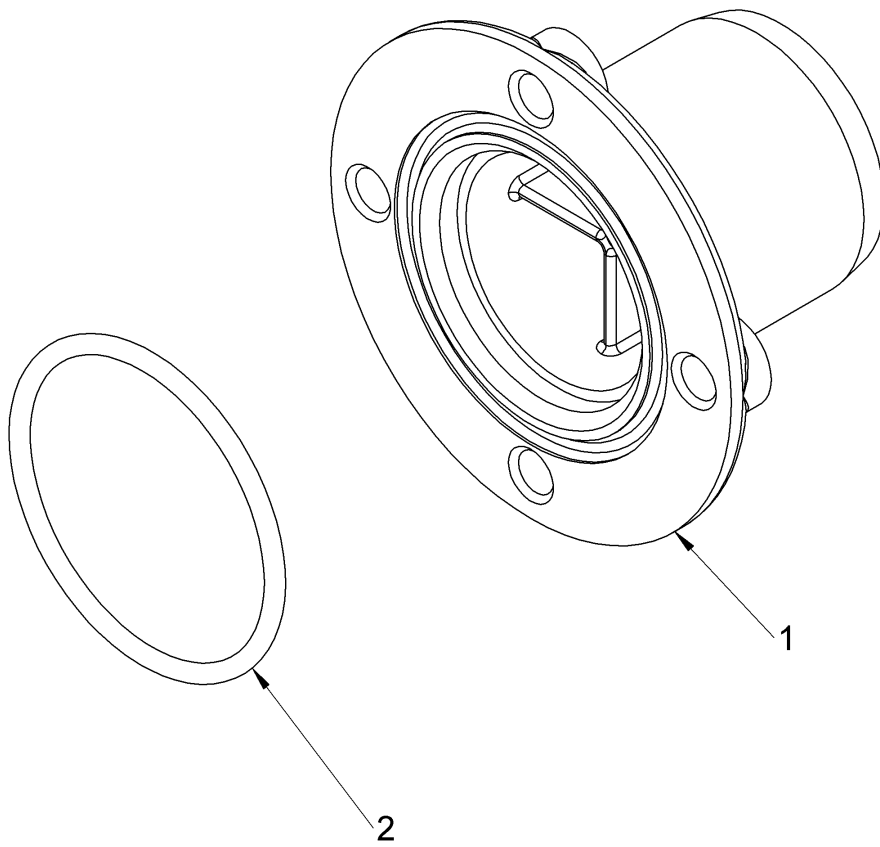


90000775-A

14. Wash pump assembly – BOM

Item	Description	Part number	QTY.	Note
1	PT wash pump bracket		1	
2	Wash pump assembly 0.22kW 60hz	30011876	1	
3	12.5µF Capacitor	30011582	1	Includes washer & nut
4	M6 Serrated washer	30007939	1	
5	M5 Serrated washer	30001126	2	
6	M6 x 12 hex head screw (ISO 4017)	30008585	1	
7	M5 x 8 hex head screw (ISO 4017)	30001124	2	
8	M6 Flange nut (DIN 6923)	30001848	4	
9	M5 Flange nut (DIN 6923)	30001186	4	
10	Wash pump inlet hose		1	
11	Spring clip - Ø48mm to Ø53mm	30003890	2	
12	Jubilee clip - 40mm to 60mm	30001218	2	
13	Wash boss assembly	30013519	1	

15. Wash Boss assembly

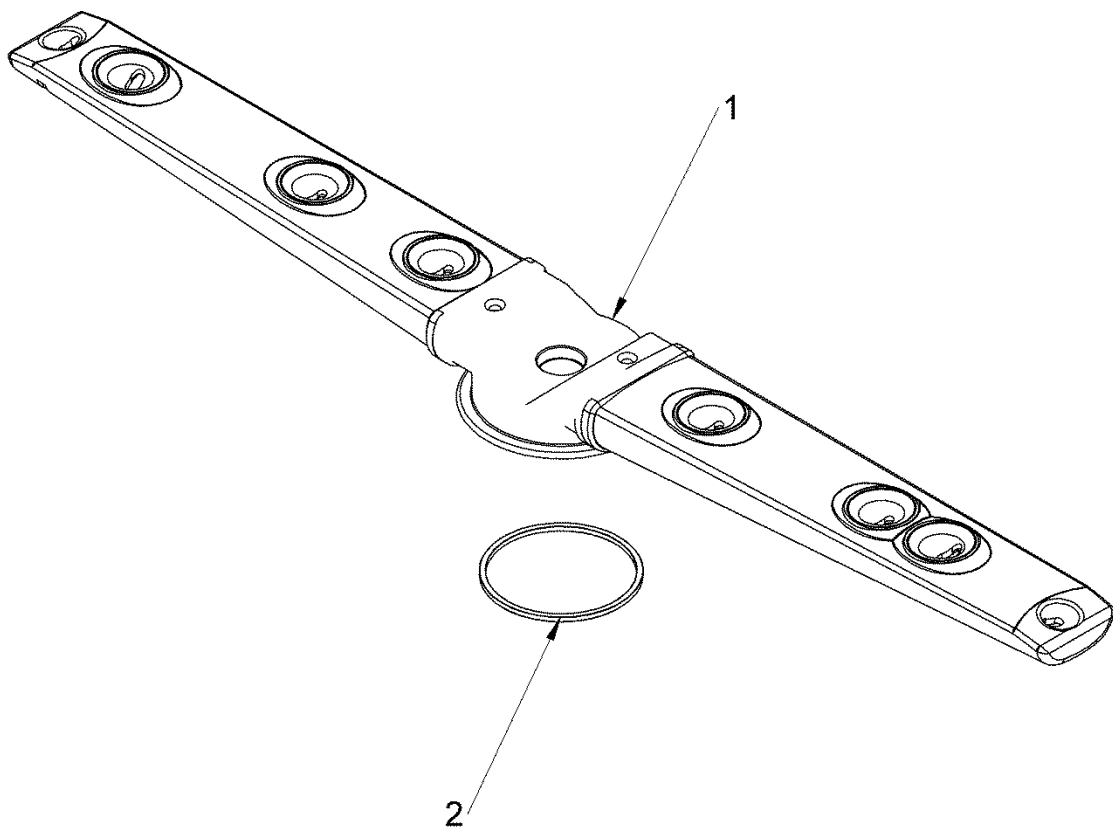


30013519-A

15. Wash Boss assembly – BOM

Item	Description	Part number	QTY.	Note
1	Wash outlet		1	
2	O-ring - Ø48 x Ø3	30000404	1	

16. Kit rotary arms washing

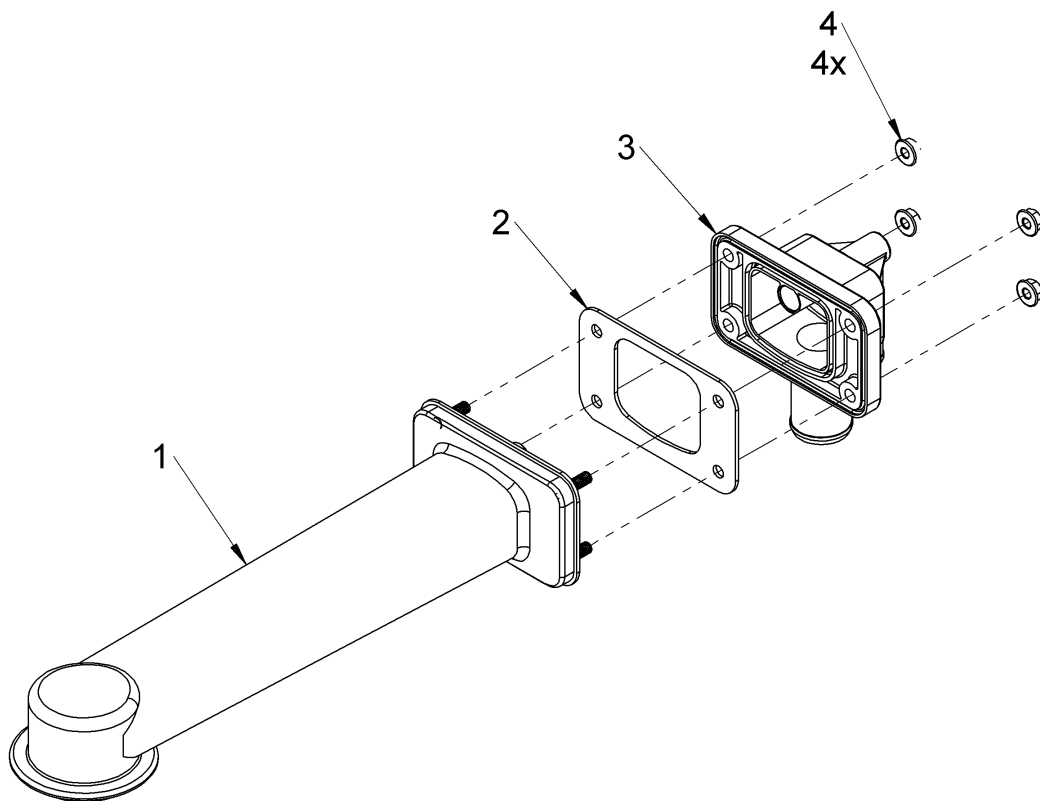


60003520-A

16. Kit rotary arms washing – BOM

Item	Description	Part number	QTY.	Note
1	Wash Arm 500mm		1	Not available as a spare
2	Seal (turbo ring)	60003021	1	Only on Dishwasher

17. Top manifold assembly

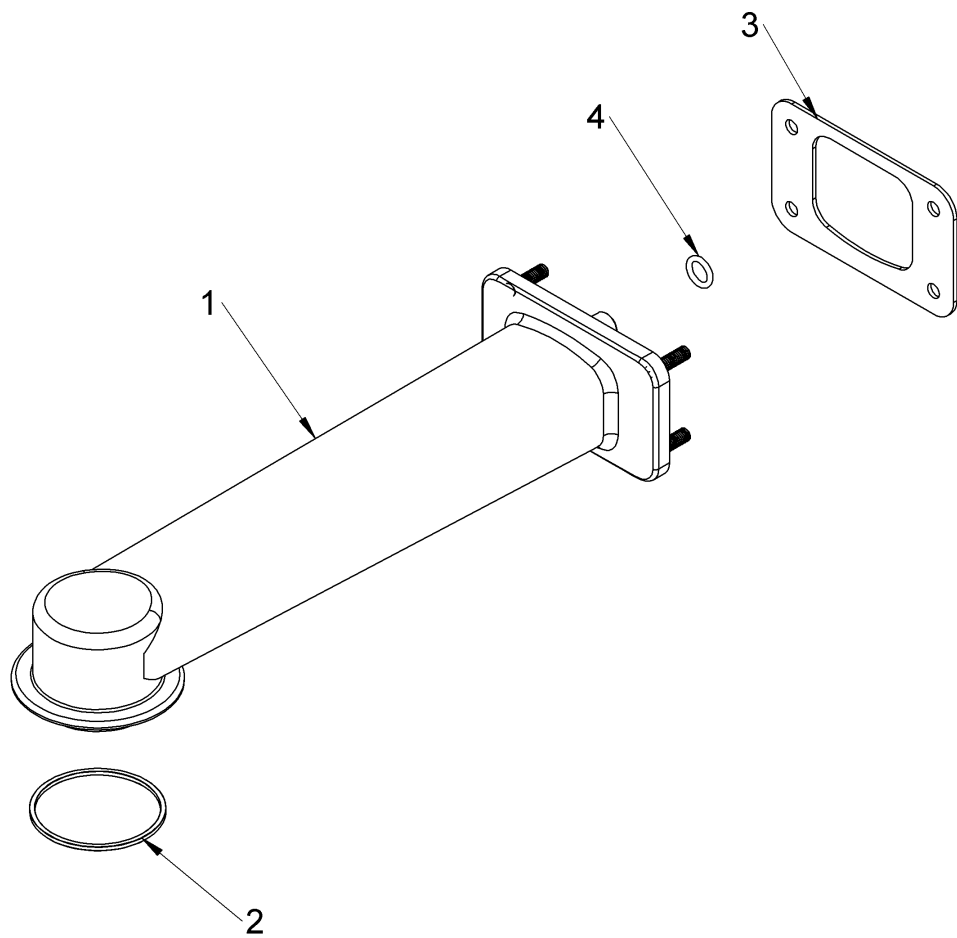


30013520-A

17. Top manifold assembly – BOM

Item	Description	Part number	QTY.	Note
1	Top Manifold	30013508	1	
2	Top wash seal	30001036	1	
3	Wash/Rinse manifold outer	30001035	1	
4	M6 Flange nut (DIN 6923)	30001848	4	

18. Top manifold

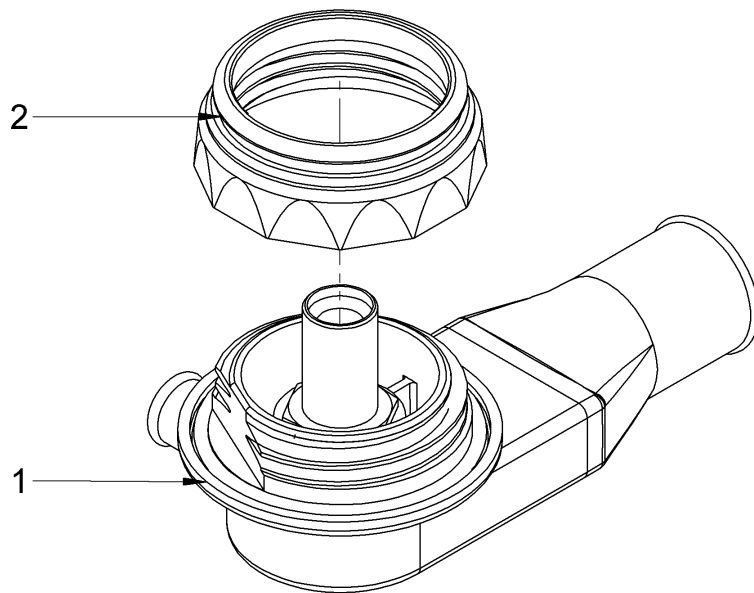


30013508-A

18. Top manifold – BOM

Item	Description	Part number	QTY.	Note
1	PT Top Manifold		1	
2	Seal ring	60003021	1	Only on Dishwasher
3	Top wash seal	30001036	1	
4	O ring - 2.5mm x 10mm	30000723	1	

19. Center boss assembly

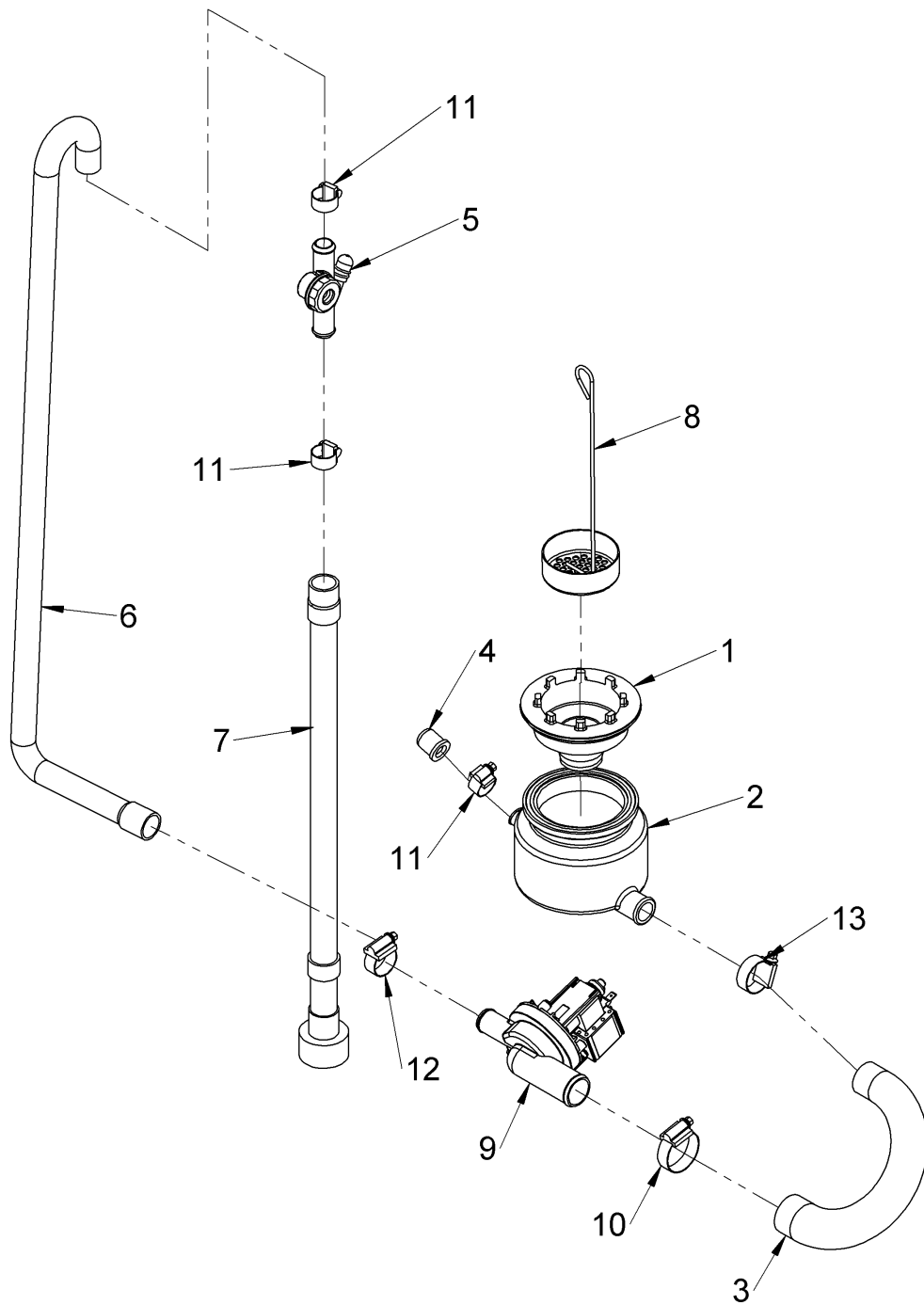


30003284-A

19. Center boss assembly – BOM

Item	Description	Part number	QTY.	Note
1	Centre boss assembly	30012323	1	
2	Lock nut	60003005	1	

20. Drain system

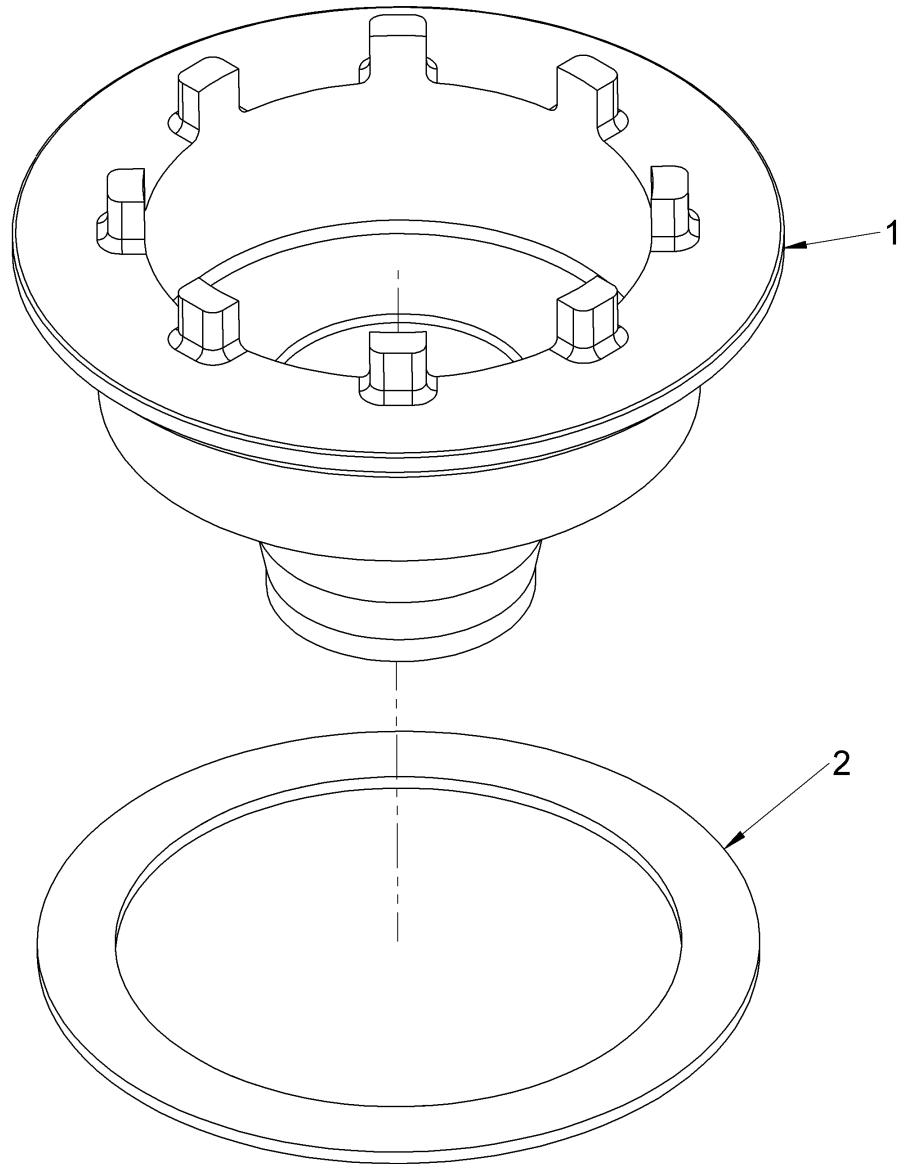


30013521-A

20. Drain system – BOM

Item	Description	Part number	QTY.	Note
1	Kit sump drain	61006178	1	
2	Kit drain bottle	61005186	1	
3	Drain pump inlet hose	30001141	1	
4	End cap - 12 x 20 - rubber	30001117	1	
5	Kit drain air break	60003514	1	
6	Shape hose	60004004	1	
7	Pump Drain hose - PT	30013439	1	
8	PT Secondary Metal Filter	65005555	1	
9	Drain pump - Head 90° to flow - LA	30012599	1	
10	Sp. Jubilee Clip - 25mm to 40mm	30013293	1	
11	Jubilee Clip - 12mm to 22mm	30001088	3	
12	Jubilee Clip - 16mm to 27mm	30001799	1	
13	Jubilee Clip - 20mm to 32mm	30001112	1	

21. Sump Drain set

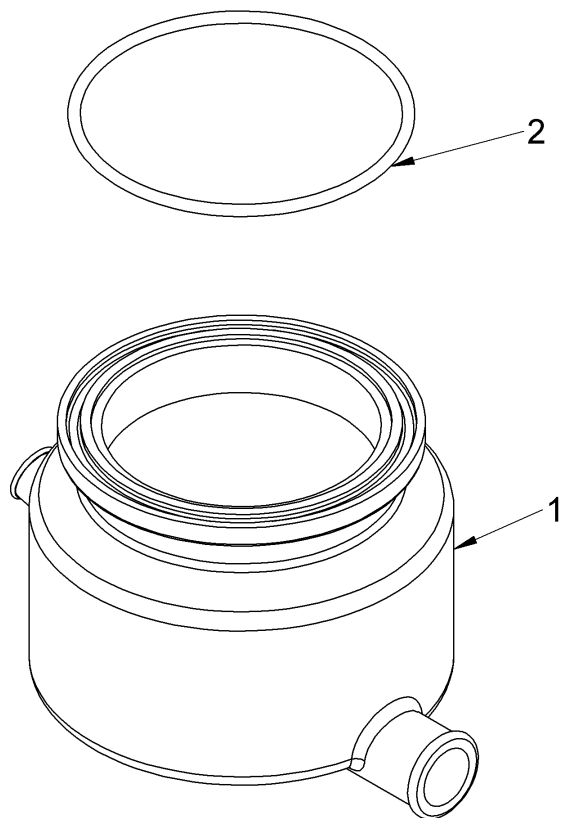


61006178-A

21. Sump Drain set – BOM

Item	Description	Part number	QTY.	Note
1	Drain boss Inner		1	
2	Drain seal	2701007	1	

22. Kit drain bottle

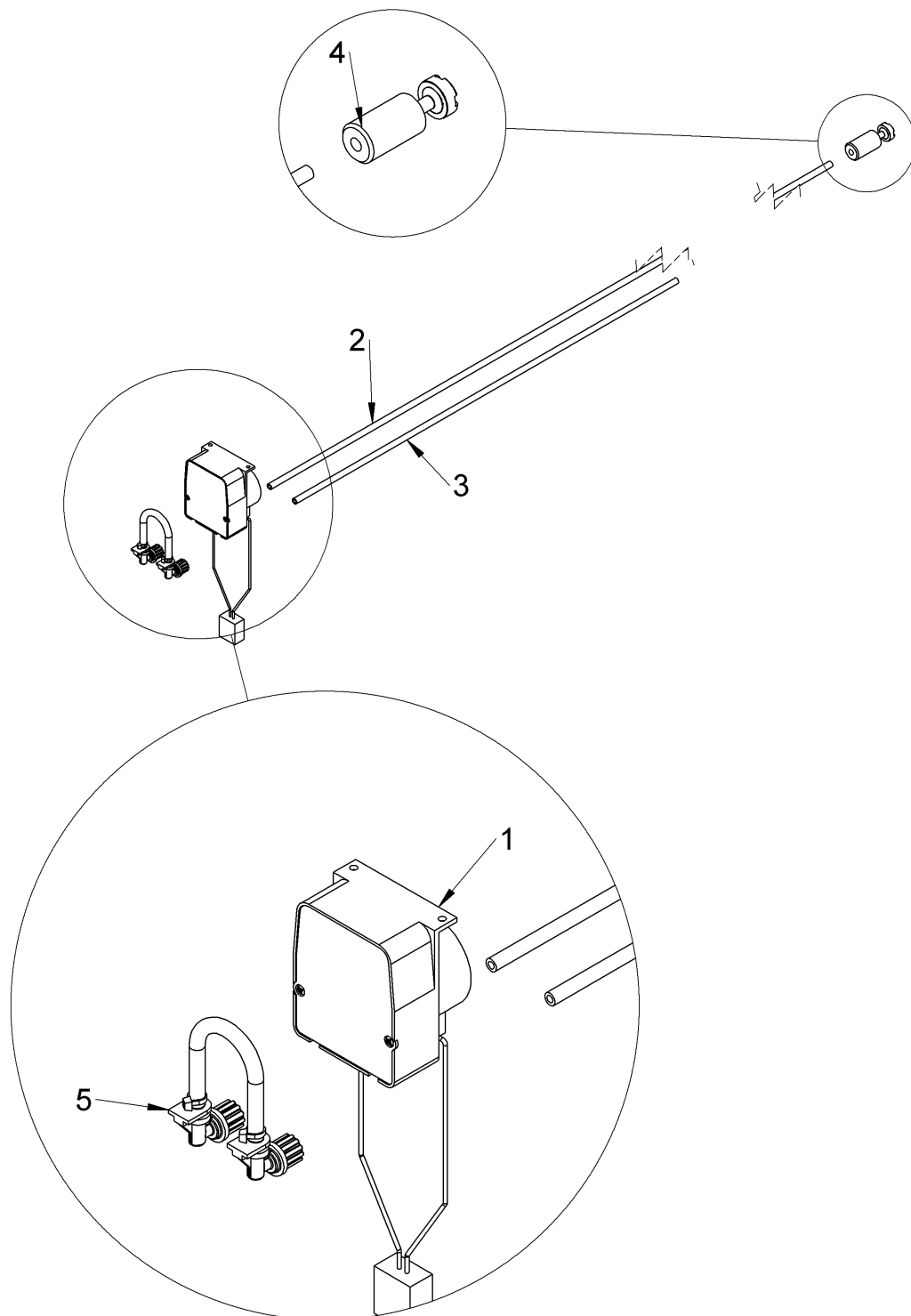


61005186-A

22. Kit drain bottle – BOM

Item	Description	Part number	QTY.	Note
1	Drain bottle		1	
2	O-ring - Ø91 x Ø3.5	2707075	1	

23. Detergent pump assembly

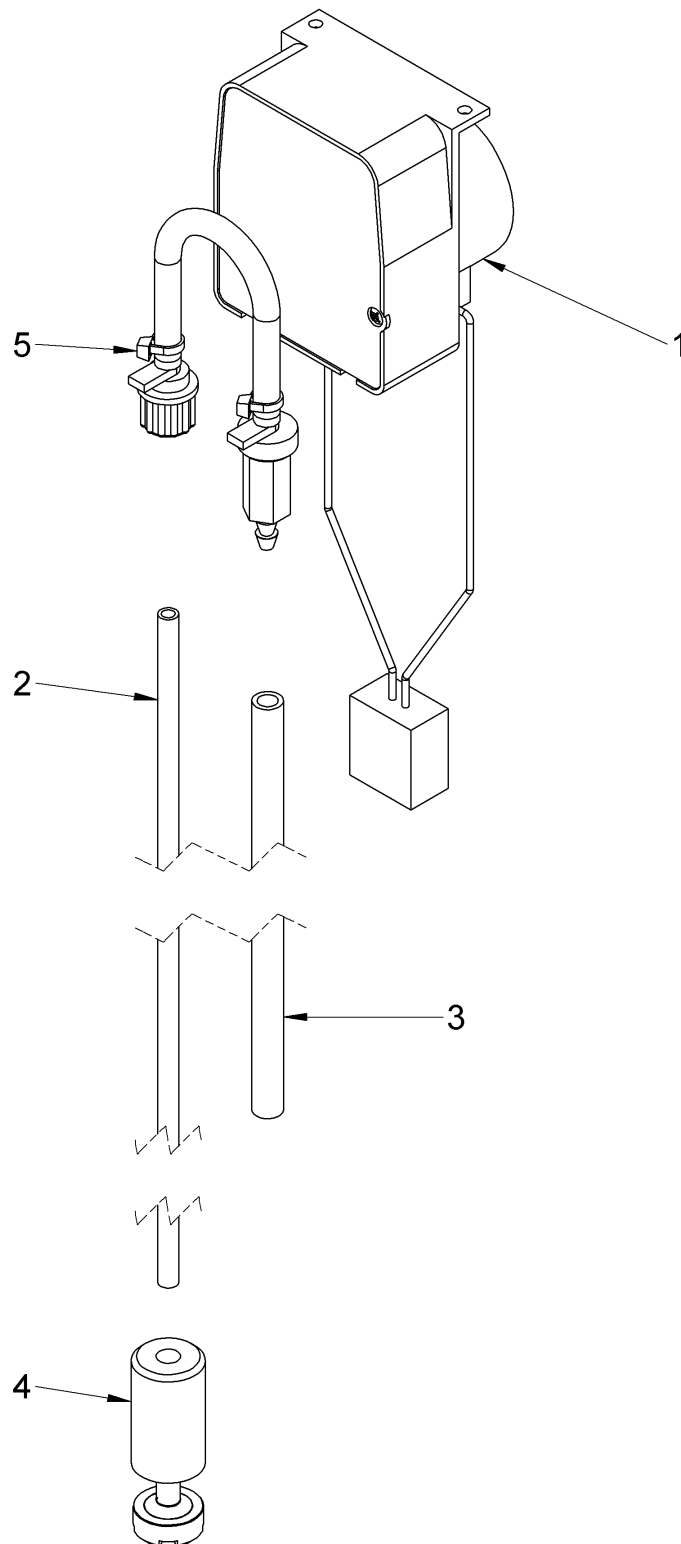


30011805-B

23. Detergent pump assembly – BOM

Item	Description	Part number	QTY.	Note
1	Detergent pump housing		1	Not available as a spare
2	Detergent inlet tube	30012405	1	Clear Tube
3	Detergent outlet tube	30012406	1	
4	Bottle weight kit	30012370	1	
5	Detergent peristaltic tube assembly	30012407	1	

24. Rinse aid pump assembly

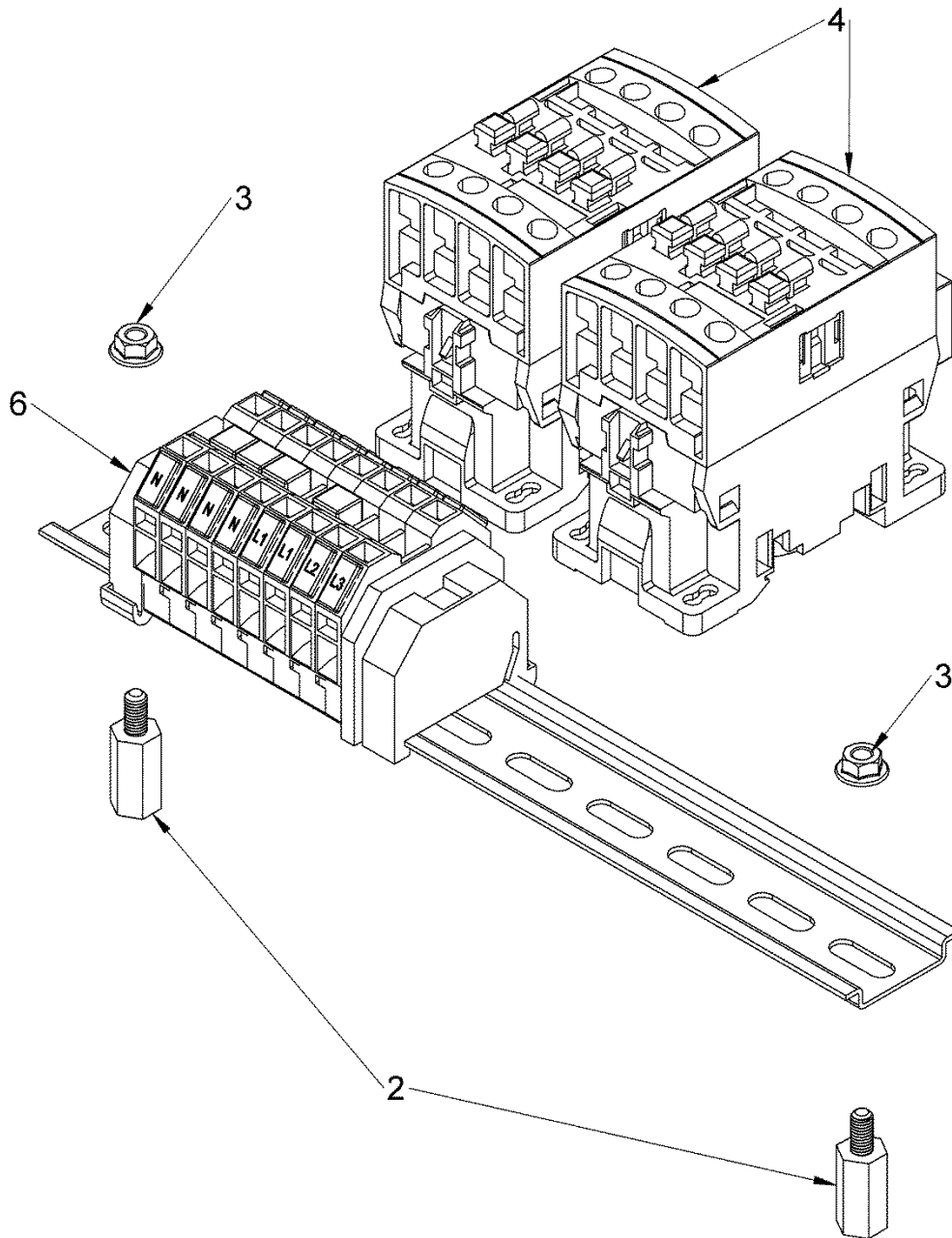


30011806-A

24. Rinse aid pump assembly - BOM

Item	Description	Part number	QTY.	Note
1	Rinse aid pump housing		1	Not available as a spare
2	Rinse aid inlet tube	30012413	1	Blue Tube
3	Rinse aid outlet tube	30012414	1	
4	Bottle weight kit	30012370	1	
5	Rinse aid peristaltic tube assembly	30012415	1	

25. Electrical component assembly

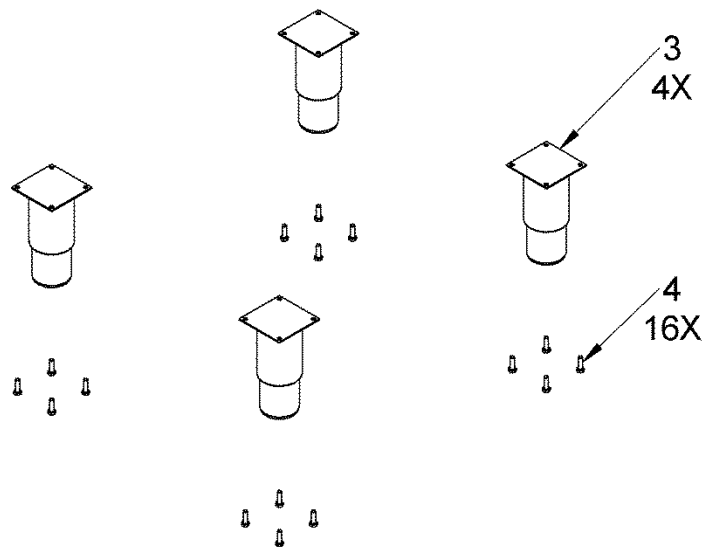
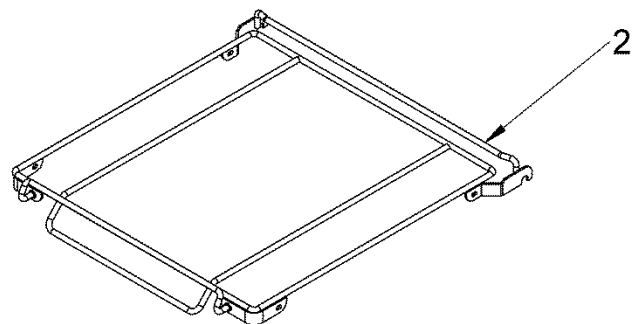
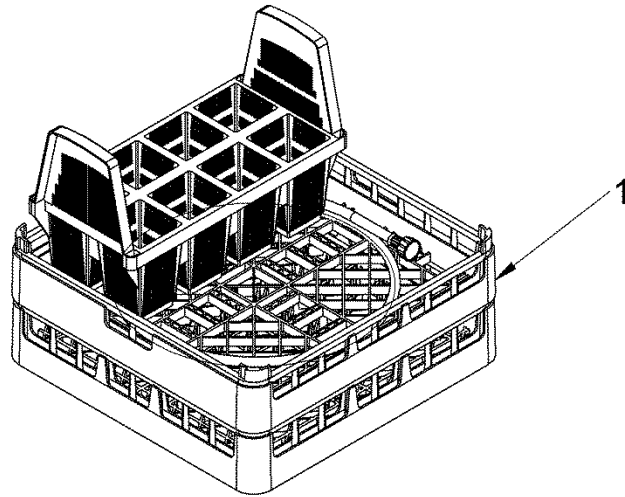


30013523-A

25. Electrical component assembly - BOM

Item	Description	Part number	QTY.	Note
1	Standard Heat Harness		1	Not available as a spare
2	M5 x 20mm Hex Boss	30006302	2	
3	M5 Flange nut (DIN 6923)	30001186	2	
4	Contactora AF16	30000861	2	
5	Full Control Harness		1	Not available as a spare
6	Standard Terminal Block Assembly	30013563	1	

26. Accessories



30013540-A

26. Accessories – BOM

Item	Description	Part number	QTY.	Note
1	500mm Dishwasher accessories	30012340	1	Not shown
2	Basket Frame	30001200	1	
3	Adjuster foot	30001222	4	
4	M6 x 20 hex head screw (ISO 4017)	30001080	16	

27. 500mm Dishwasher accessories

Item	Description	Part number	QTY.	Note
1	Water supply hose	30001162	1	
2	500mm ² open basket	30001197	1	
3	500mm ² dish basket	30001198	1	
4	Large cutlery basket	3602258	1	

28. Mains cable

Item	Description	Part number	QTY.	Note
1	30A 1Phase Mains Cable Kit	30013553	1	
2	3 Phase mains cable - 2016	30012067	1	
3	30A 3PH Mains Cable	30001189	1	
4	Mains cable 4G2.5 - No neutral	30008652	1	

Document number: 9000776
Revision: A
Date: 22/08/2018
Language: English